



The Denmore Group Pty Ltd  
trading as Touchwood Doors Pty Ltd

ABN 86 071 823 651

35 Proprietary Street  
TINGALPA QLD 4163

7am - 5pm (Monday to Friday)  
T: 1300 00 11 20  
F: 07 3390 4570

SERVING GREAT CLIENTS FOR OVER 20 YEARSwww.touchwooddoors.com.au

## How To Install A Touchwood Fire Door

When the installation of a fire-resistant door set in a building has been completed it can only be certified if the door is installed to the manufacturer's instruction.

Any hardware that you may be installing yourself or having installed by others are tested on Touchwood Doors .

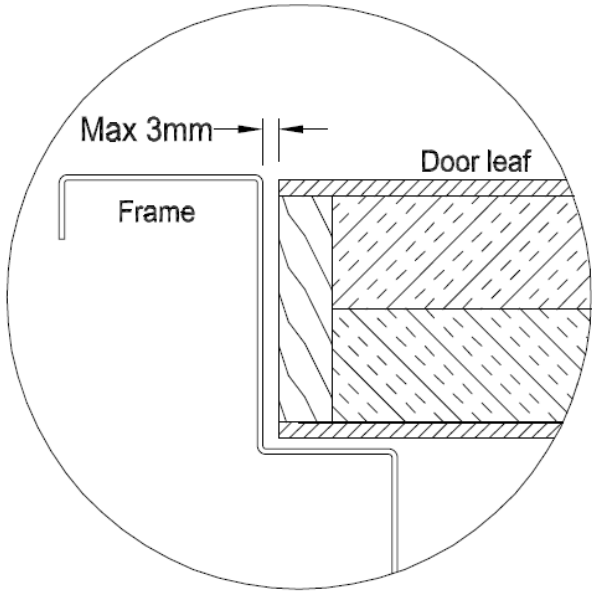
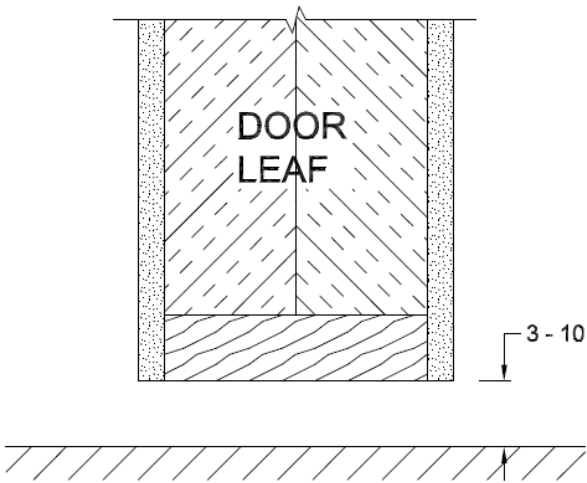
The threshold must be non-combustible.

All frames must be fully grouted for masonry walls, and partitions/stud walls be packed with strips of plasterboard or fire seal Rockwool.

A fire door must be self latching and self closing using tested and approved hardware (contact Touchwood for information on tested hardware).

Our fire doors are handed containing plates specially prepared within the door to suite hinges, locks and closers. The top of the door will be marked with a stamp indicating the hinge side, there will also be holes drilled on top of the door on the hinged side indicating the rating ( 1 hole + 1 Hour ETC ) this may not always be accurate with other manufacturers.

Maximum clearance as per AS1905-1, 3mm to top and sides and not less than 3mm and maximum 10mm to bottom of door and 5mm between the frame stop and the door. 25mm to non-combustible floor where there is carpet.





The Denmore Group Pty Ltd  
trading as Touchwood Doors Pty Ltd

ABN 86 071 823 651

35 Proprietary Street  
TINGALPA QLD 4163

7am - 5pm (Monday to Friday)  
T: 1300 00 11 20  
F: 07 3390 4570

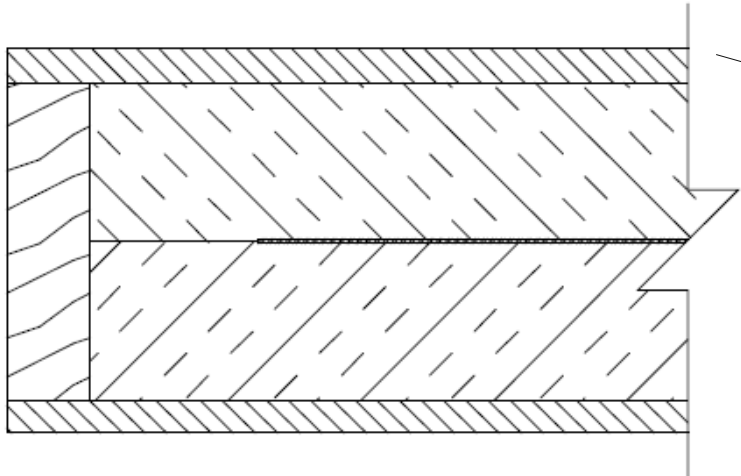
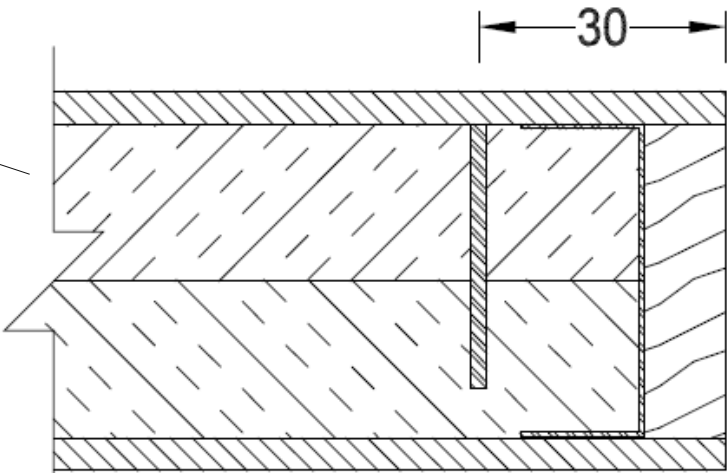
SERVING GREAT CLIENTS FOR OVER 20 YEARS [www.touchwooddoors.com.au](http://www.touchwooddoors.com.au)

**Trimming Allowance** 3mm top, sides and bottom of doors, bottom of doors can be cut up to 20mm but you have to contact Touchwood to seek further advice on how to re-rail the doors.

Fixing hinges to the door. Use 10g x 50mm self tappers screws to ensure they pass through steel hinge plate approximately 30mm in from edge of door. (You must drill a Pilot hole first into 2mm steel plate). The hinges must be rebated into the edge strip of the door and cannot be surface mounted. Contact Touchwood for approved variations to this. Do not over tighten screws, or else fire door core may be delaminated. If a pilot hole is not done for any screw fixing to a door it will crack the edge strip and cannot be certified.

### Installation of Door Closer

NOTE: Use 10g x 50mm self tapping screws to ensure they pass through steel hinge plates inside door. (Drill pilot holes first). Do not over tighten screws, or else fire door core may be damaged.



NOTE: Ensure door closer screws are long enough to penetrate the steel closer reinforcing plate in the centre of the door leaf. Screw length will depend on closer body design.

NOTE

For any other queries or information on fire door installation please call Touchwood Doors



The Denmore Group Pty Ltd  
trading as Touchwood Doors Pty Ltd

ABN 86 071 823 651

35 Proprietary Street  
TINGALPA QLD 4163

7am - 5pm (Monday to Friday)  
T: 1300 00 11 20  
F: 07 3390 4570

SERVING GREAT CLIENTS FOR OVER 20 YEARS

[www.touchwooddoors.com.au](http://www.touchwooddoors.com.au)

## Single Door

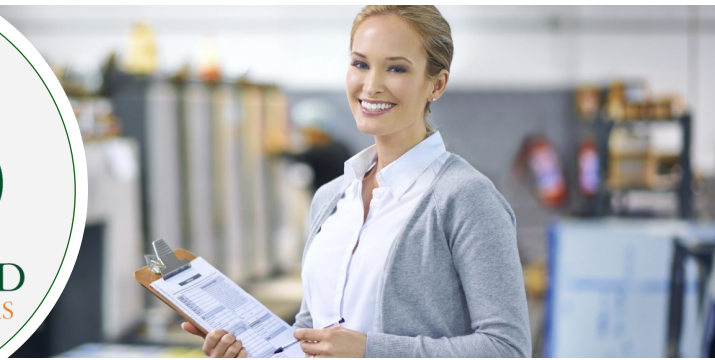
Closer and lock or latching

## Double Door

Set Lock or latching, closers on each leaf, Sequence selector, head latch or auto shoot bolt. Fire rated meeting styles. (There is tested variations to this tested system, please check with Touchwood Doors)

The door frame must be fixed as per tested prototype. Fixed to a fire rated wall as tested with approved ties, brackets or anchors.

FAILURE TO COMPLY WITH THE ABOVE MAY NEGATE THE FIRE RATINGS AND THE CERTIFICATE AND TAGS CANNOT BE ISSUED.



The Denmore Group Pty Ltd  
trading as Touchwood Doors Pty Ltd

ABN 86 071 823 651

35 Proprietary Street  
TINGALPA QLD 4163

7am - 5pm (Monday to Friday)  
T: 1300 00 11 20  
F: 07 3390 4570

SERVING GREAT CLIENTS FOR OVER 20 YEARS

[www.touchwooddoors.com.au](http://www.touchwooddoors.com.au)

## Storage and Handling

1. If not immediately hanging – store flat in a dry area.
2. Exterior finished must be used on exterior doors.
  - i) The manufacturer will not be held responsible for additional charges of hanging or finishing arising out of replacement of doors. immediately after fitting and prior to hanging (including the top and bottom edges) have received two (2) coats of paint, varnish or sealer so as to prevent absorption of moisture and damage to the doors;
  - ii) have been painted with a preparation suitable to cruminate damage caused by exposure to natural and induced elements;
  - iii) Have received proper exterior finishes for exterior doors and depending on degree of exposure, additional protection by flashing and weather stripping on the top and bottom edges.
  - iv) Where doors are exposed to direct sunlight the door surface has been finished with light, reflective colours.
3. Experience has demonstrated that when warp occurs after delivery, it is usually due to improper storage or adverse moisture conditions prior to or after hanging, not due to faulty manufacture. Touchwood Doors will accept no responsibility for the development of warp if:
  - The moisture content of the door falls below 12% or exceeds 18%;
  - Doors with face veneers of differing materials or timber species;
  - Doors that are improperly installed or which do not swing freely;
  - External doors painted with dark colours;
  - Doors installed in air conditioned areas or with abnormal temperature differentials from one face to the other;
  - Doors that have been leant against walls prior to hanging;
  - Doors that are fitted with bolection moulding that have been installed by others or differ from tested prototype.